



BFD200 Installation and Maintenance

MASTER PNEUMATIC - DETROIT, INC.

6701 -18 Mile Rd. | Sterling Heights, MI 48314 | Phone: (586) 254-1000 | Fax: (586) 254-6055 | Email: mp@masterpneumatic.com

PRODUCT NUMBERS:

BFD200-6
BFD200-8

THANK YOU!

You have just purchased a quality Filter from Master Pneumatic.

With care in its installation and maintenance, you can expect it to have a long and economical service life. Before you go any further, please take a few minutes to look over this information, then save it for future reference and for the useful service information it contains.

Installation & Operation Procedures

NOTE: Read Warning Stuffer STU-A019 included in box with product before proceeding.

INSTALLATION:

1. Depressurize and lockout air pressure.
2. Upstream pipes must be free of excessive dirt and liquids.
3. Install the Filter as near as possible to the device it is to serve.
4. Install the Filter so that air flows from inlet to outlet as shown on the head.
5. The Filter must be installed vertically with drain mechanism at the bottom.
6. Filters should be installed upstream of any Regulators or Lubricators in the airline.

OPERATION:

1. For Manual Drain models: Periodically drain to discharge accumulated liquids by turning Draincock clockwise.
2. For Automatic Drain models: Flexible tubing (3/16" ID) may be installed on the Drain Stem to remove discharges. Turn Drain Knob counter-clockwise until it stops, push up to expose the Drain Clip. Remove Drain Clip and Drain Knob, and push tubing onto Drain Stem. The drain may be adjusted to compensate for differing operating conditions by adjusting the Drain Knob. For low flow or low pressure drop, turn the Drain Knob until the drain just closes. For high flows or high pressure drop, turn the Drain Knob clockwise if reduced drain action is required. Turning the Drain Knob clockwise to the stop puts the drain in a manual shutoff position. Turning the Drain Knob counter-clockwise will manually drain the filter.
3. Replace Element when dirty. If pressure differential reaches 8 psid, element MUST be replaced.

TO CLEAN OR REPAIR:

1. Depressurize and lockout air pressure.
2. Remove Bowl Ring and Bowl Assembly by turning counter-clockwise.
3. Remove Lower Baffle by turning counter-clockwise. Then remove Lower Baffle Seal and replace.
4. The Filter Element can now be removed. Do NOT clean elements, they must be replaced.
5. If needed, replace Upper Baffle Seal. To do so, remove Upper Baffle. Then remove Upper Baffle Seal and replace.
6. To service Automatic Drain, turn Drain Knob counter-clockwise until it stops. Then push Drain Knob up to expose Drain Clip. Remove Drain Clip and pull off Drain Knob.
7. Remove Drain Nut by turning counter-clockwise. The Automatic Drain can now be removed from Bowl and disassembled.
8. Both the Automatic Drain and Bowl can be cleaned with soap and water.
9. When re-assembling, be sure all o-rings are correctly located. Lubricate o-rings with Lithium grease. Torque Drain Nut 5-15 in-lbs. Torque Lower Baffle 50-75 in-lbs. Torque Bowl Ring hand tight.
10. If the Filter cannot be repaired by cleaning with soap and water, the parts should be replaced.

Replacement Parts

| DESCRIPTION | PART NUMBER |
|-----------------------------|--------------------------------------|
| AID Metal Bowl Assembly* | OLD: ABFD114-100 NEW: ABFD114-126 |
| Manual Metal Bowl Assembly* | OLD: ABF114-100 NEW: ABF114-126 |

*Review Bowl Styles on Next Page.

| DESCRIPTION | PART NUMBER |
|---------------------|-------------|
| Element Kit - 40µm | A114-106E3 |
| Element Kit - 5µm | A114-106E5 |
| Automatic Drain Kit | D380 |
| Manual Draincock | 103-51SP |



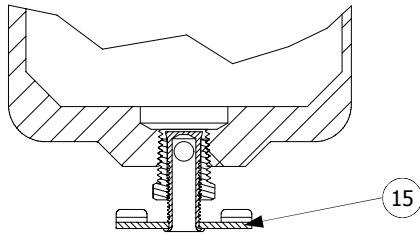
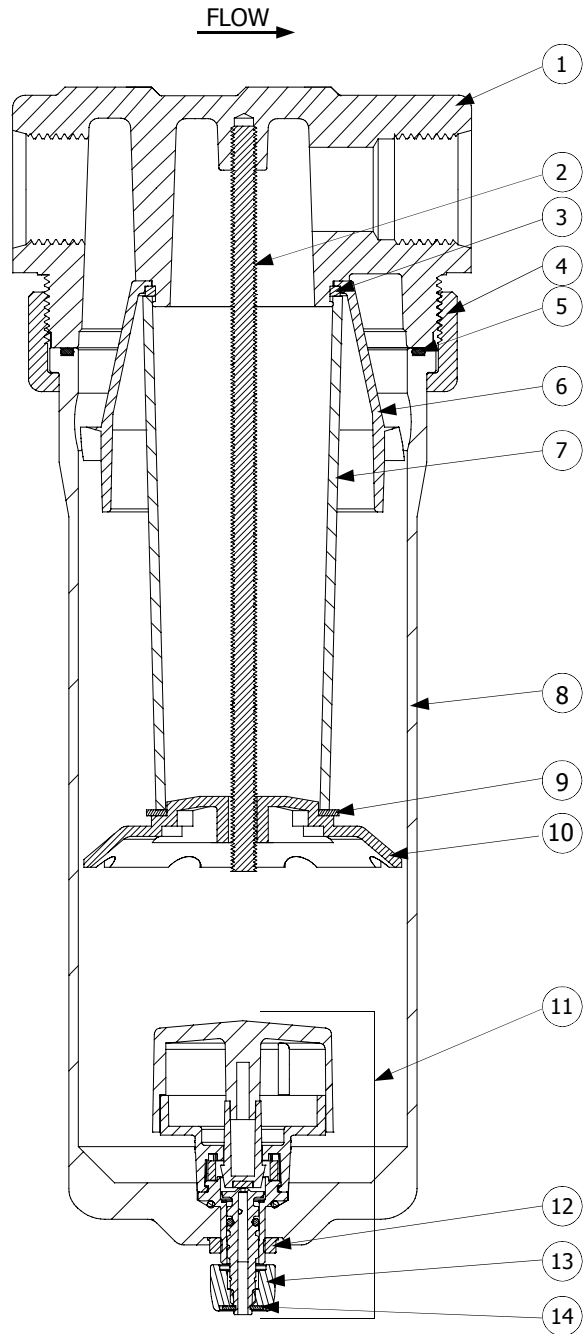
BFD200 Installation and Maintenance

MASTER PNEUMATIC - DETROIT, INC.

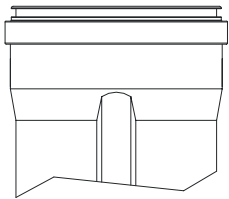
6701 -18 Mile Rd. | Sterling Heights, MI 48314 | Phone: (586) 254-1000 | Fax: (586) 254-6055 | Email: mp@masterpneumatic.com

Parts Listing

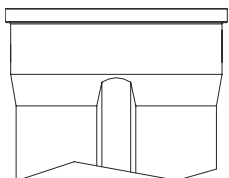
| KEY | DESCRIPTION |
|-----|-------------------|
| 1 | Head |
| 2 | Stud |
| 3 | Upper Baffle Seal |
| 4 | Bowl Ring |
| 5 | O-Ring |
| 6 | Upper Baffle |
| 7 | Filter Element |
| 8 | Metal Bowl |
| 9 | Lower Baffle Seal |
| 10 | Lower Baffle |
| 11 | Automatic Drain |
| 12 | Drain Nut |
| 13 | Drain Knob |
| 14 | Drain Clip |
| 15 | Manual Draincock |



BOWL STYLES



Old Style Bowl



New Style Bowl